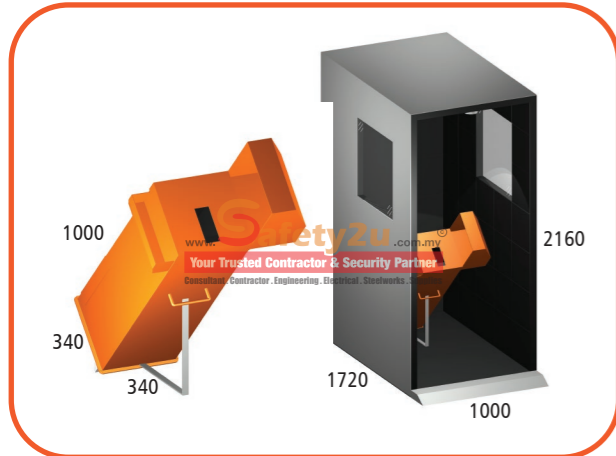
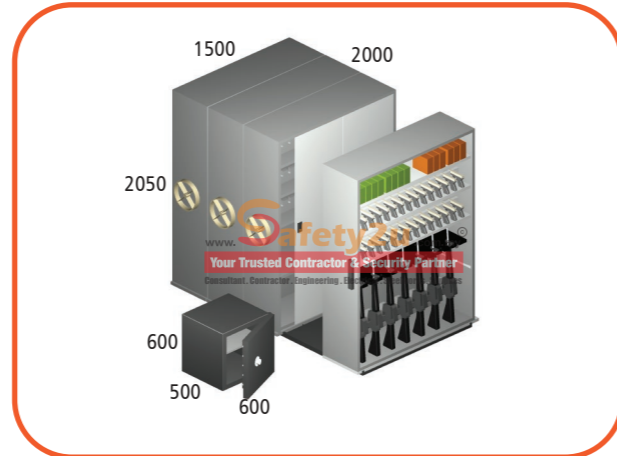




Consultant. Contractor. Engineering. Electrical. Steelworks. Supplies



S2U CLEARING CHAMBER & BOOTH



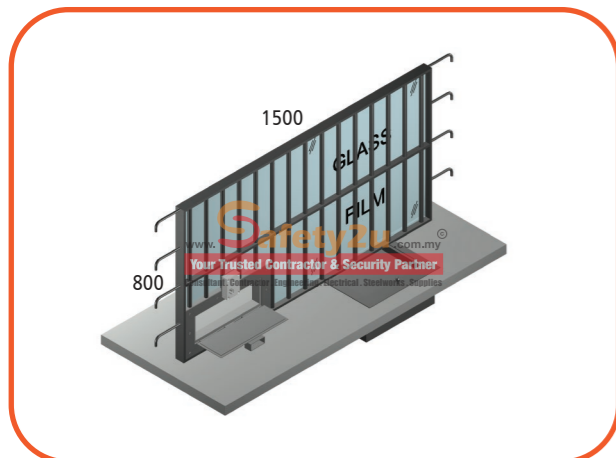
S2U GUNRACK & S2U STORAGE



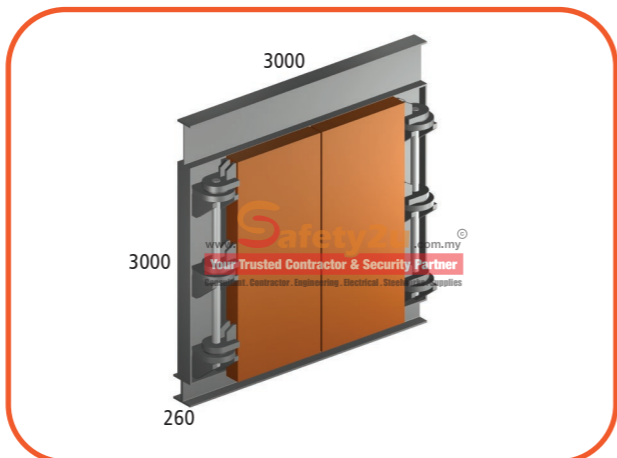
S2U HAZARDOUS STORAGE, PANIC ROOM @ BUNKER



S2U WEAPONRY SERVICE TABLE



S2U SECURITY COUNTER



S2U L/XL ARMORED DOOR

*Illustration purposes only



www.emirbina.com.my



EMIR BINA SDN. BHD. (1050178-M)
403, A, Blok 1,
Laman Seri Business Park,
Persiaran Sukan, Seksyen 13,
40100 Shah Alam,
Selangor Darul Ehsan, Malaysia.

T +603.5524.4467
+603.5524.4468
F +603.5524.4463
E emirbinagroup@gmail.com



#safety2u
www.emirbina.com.my
+6019.335.7862

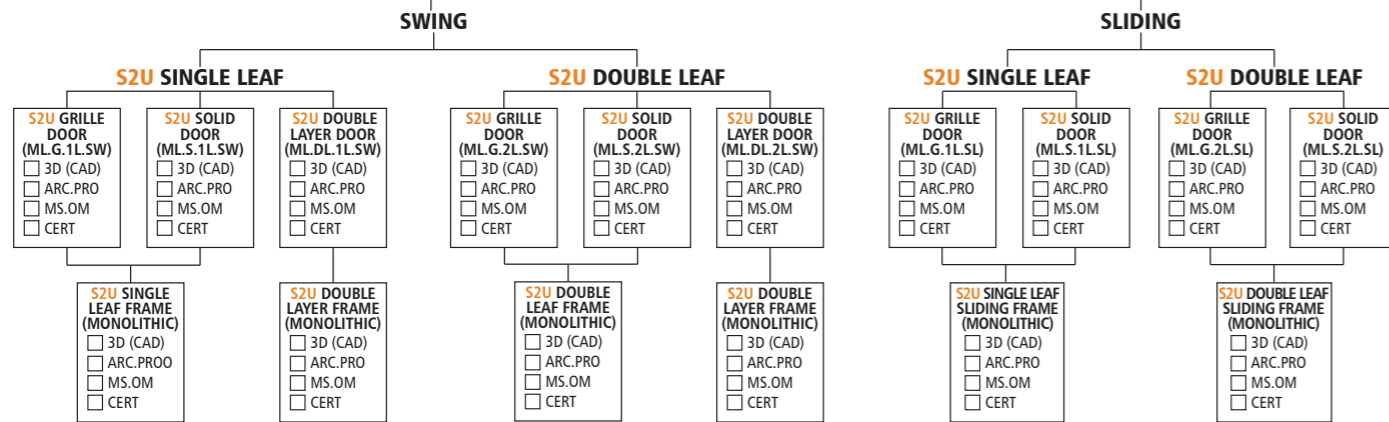
CATALOGUE CHART

- 1. DETENTION (ASTM)
- 2. BURGLARY MATERIAL
- 3. BALLISTIC MATERIAL
- 4. FIRE-RATED MATERIAL
- 5. EXPLOSIVE MATERIAL
- 6. ACOUSTIC MATERIAL

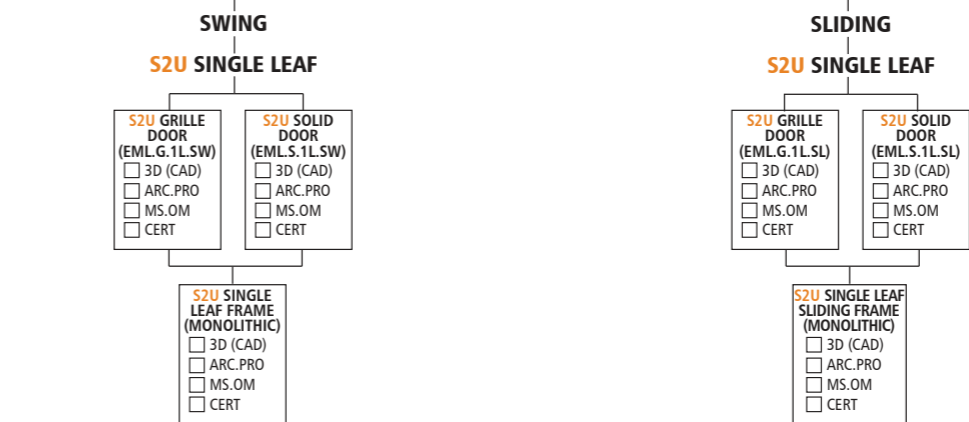
DOOR CODE LEGEND:		
ML = MECHANICAL LOCKSET	1L = SINGLE LEAF	
EML = ELECTROMECHANICAL LOCKSET	2L = DOUBLE LEAF	
G = GRILLE DOOR	DL = DOUBLE LAYER	
S = SOLID DOOR	SW = SWING	
	SL = SLIDING	

SAFETY2U (S2U). DETENTION, PRISON & CUSTODIAL (D.P.C). SOUTHERN FOLGER (SF): SOUTHERN STEEL, FOLGER ADAM & RR BRINK DETENTION LOCKSET & EQUIPMENT

SAFETY2U STEEL DOOR: MECHANICAL



SAFETY2U STEEL DOOR: ELECTROMECHANICAL LOCK (AUTOMATIC OPENING)



S2U PANEL: WALL & WINDOW

MONOLITHIC
 3D (CAD)
 ARC.PRO
 MS

NON MONOLITHIC
 3D (CAD)
 ARC.PRO
 MS

NOTE!
Applicable to old/aging buildings only (HIGHER COST)

S2U PANEL: ANTI VANDAL & BALLISTIC

MONOLITHIC
 3D (CAD)
 ARC.PRO
 MS

NON MONOLITHIC
 3D (CAD)
 ARC.PRO
 MS

NOTE!
Applicable to old/aging buildings only (HIGHER COST)

S2U FILM & GLASS: ANTI-VANDAL & BALLISTIC

MONOLITHIC
 3D (CAD)
 ARC.PRO
 MS

NON MONOLITHIC
 3D (CAD)
 ARC.PRO
 MS

NOTE!
Applicable to old/aging buildings only (HIGHER COST)

S2U ARMORY COUNTER C/W EXPENDED METAL

MONOLITHIC
 3D (CAD)
 ARC.PRO
 MS

NON MONOLITHIC
 3D (CAD)
 ARC.PRO
 MS

NOTE!
Applicable to old/aging buildings only (HIGHER COST)

- SWING D.P.C MECHANICAL LOCKS**

 - SF 10 SERIES DEADLOCK
 3D (CAD) ARC.PRO N.S CERT
 - SF 80 SERIES DEADLOCK
 3D (CAD) ARC.PRO N.S CERT
 - SF 70 SERIES SLAM-SHUT
 3D (CAD) ARC.PRO N.S CERT
 - 105 HEAD & FOOTBOLT
 3D (CAD) ARC.PRO N.S
 - SF MORTISE DEADLOCK
 3D (CAD) ARC.PRO N.S CERT
 - SF MORTISE SLAM-SHUT
 3D (CAD) ARC.PRO N.S CERT

SLIDING D.P.C MECHANICAL LOCKS

 - SF 30 SERIES DEADLOCK
 3D (CAD) ARC.PRO N.S
 - SF AUTOMATIC LOCK
 3D (CAD) ARC.PRO N.S
 - 105 HEAD & FOOTBOLT
 3D (CAD) ARC.PRO N.S

SWING D.P.C EML LOCKS

 - SF 300 SERIES
 3D (CAD) ARC.PRO N.S CERT
 - SF 120 SERIES
 3D (CAD) ARC.PRO N.S CERT
 - SF DETENTION ELECTRICAL STRIKE
 3D (CAD) ARC.PRO N.S CERT

SLIDING D.P.C EML LOCKS

 - SF 58 SERIES
 3D (CAD) ARC.PRO N.S
 - SF AUTOMATIC LOCK
 3D (CAD) ARC.PRO N.S
- SWING AND SLIDING MECHANICAL LOCKS COMPONENTS**

 - DETENTION HINGES
 3D (CAD) ARC.PRO N.S
 - DETENTION ESCUTCHEON
 3D (CAD) ARC.PRO N.S
 - DETENTION BOLT KEEPER
 3D (CAD) ARC.PRO N.S
 - MOUNTING BOX & PLATE
 3D (CAD) ARC.PRO N.S
 - DETENTION SECURITY SCREW
 3D (CAD) ARC.PRO N.S
 - EMERGENCY SECURITY LATCH
 3D (CAD) ARC.PRO N.S

SLIDING MECHANICAL LOCKS COMPONENTS

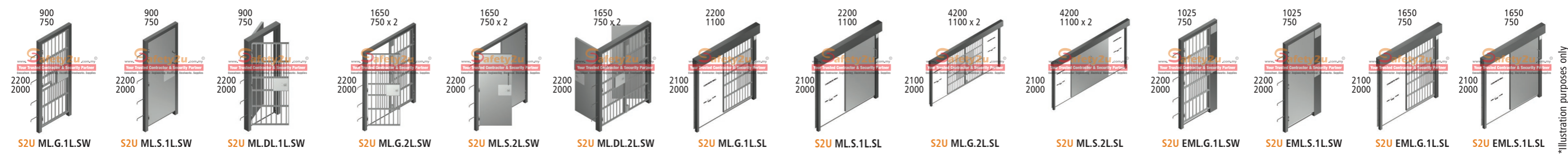
 - DETENTION TRACK SET
 3D (CAD) ARC.PRO N.S
 - DETENTION STRIKE PLATE
 3D (CAD) ARC.PRO N.S

SWING AND SLIDING EML LOCKS COMPONENTS

 - DETENTION HINGES
 3D (CAD) ARC.PRO N.S
 - DETENTION STRIKE PLATE
 3D (CAD) ARC.PRO N.S
 - SF MRS DOOR SWITCH
 3D (CAD) ARC.PRO N.S
 - MOUNTING BOX & PLATE
 3D (CAD) ARC.PRO N.S
 - DETENTION SECURITY SCREW
 3D (CAD) ARC.PRO N.S
 - EMERGENCY SECURITY LATCH
 3D (CAD) ARC.PRO N.S

SLIDING EML LOCKS COMPONENTS

 - DETENTION TRACKSET
 3D (CAD) ARC.PRO N.S



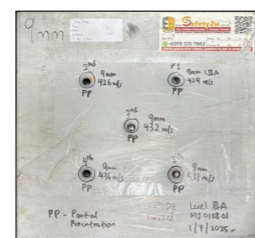
OUR LEVEL AND AREAS OF SECURITY

ROOMS	INNER (BUILDING)
CELL DOOR	BLACK MARIA
MAIL ROOM	INDOOR CORRIDOR
EXERCISE AREA	AIRLOCK (SALLY PORT)
LAUNDRY ROOM	EMERGENCY STAIRCASE
FORENSIC ROOM	
ARMORY COUNTER	MIDDLE (GROUNDS)
STRONG / PANIC ROOM	OUTDOOR WALKWAY
INTERROGATION ROOM	MANHOLE / MAIN COVER
ARMORY / WEAPONS ROOM	
SERVICE, RISER, HOSE ROOM	
IDENTIFICATION / VISITOR ROOM	OUTER (PERIMETER)
CONTRABAND / EVIDENCE ROOM	WATCHTOWER
CCTV, DOCUMENT, SERVER ROOM	INMATE PASSAGEWAY
CENTER CONTROL / OFFICER GUARD ROOM	MAIN ENTRANCE GATE / FENCE
HAZARDOUS / NARCOTIC / UTILITIES STORAGE ROOM	

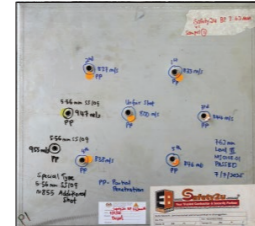
SAFETY2U DOORS

- 1) ULTIMATE SPECIALTY DOORS
 - Wind load resistant fire-rated door
 - Blast resistant door
 - Airtight door
 - Water resistant door
 - Acoustic metal door
- 2) EXCEPTIONAL INTERIOR DOORS
 - Steel interior door
- 3) SUPERIOR FIRE-RATED SHUTTERS
 - Steel fire roller shutter
 - Fabric fire-rated roller shutter
 - Stacking fabric fire-rated shutter
- 4) PREMIUM FIRE-RATED DOORS
 - Performance fire-rated door
 - Standard fire-rated door
 - Glazed fire-rated door
 - Oversized steel fire-rated door

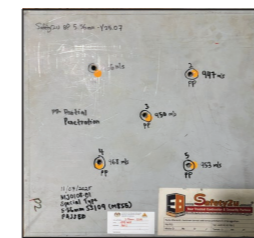
Safety2u Test Standard for Bulletproof Panel @ Door 9mm - NIJ STD 0108.01 (111A)



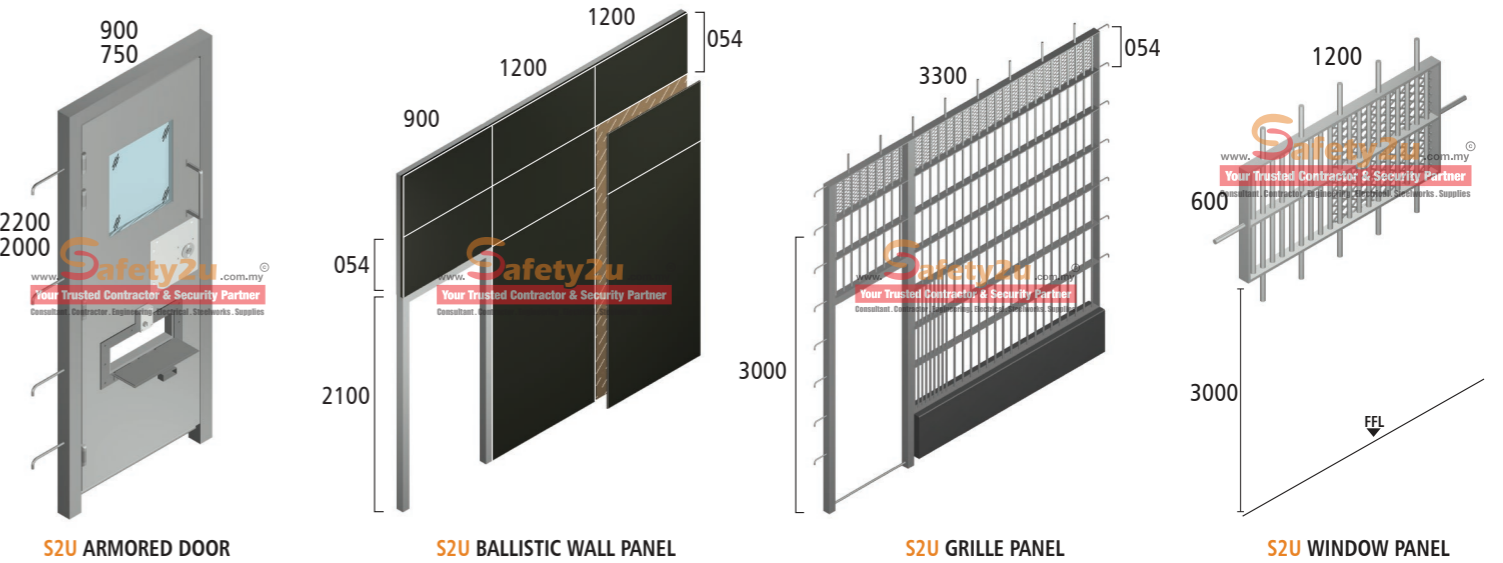
Safety2u Test Standard for Bulletproof Panel @ Door 7.62mm - NIJ STD 0108.01 (111)



Safety2u Test Standard for Bulletproof Panel @ Door 5.56mm - NIJ STD 0108.01 (Special Type)



Safety2u Test Standard for Film & Glass 9mm - AS INZS 2343 - 1997 (GO)



*Illustration purposes only